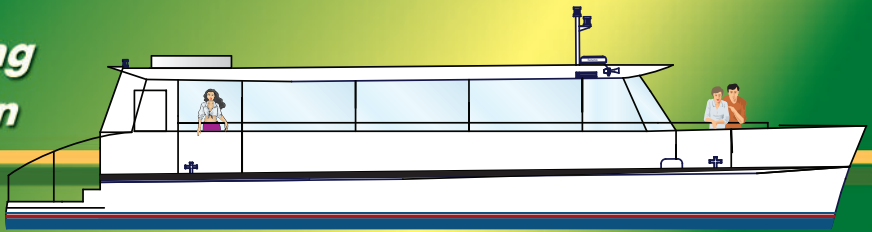


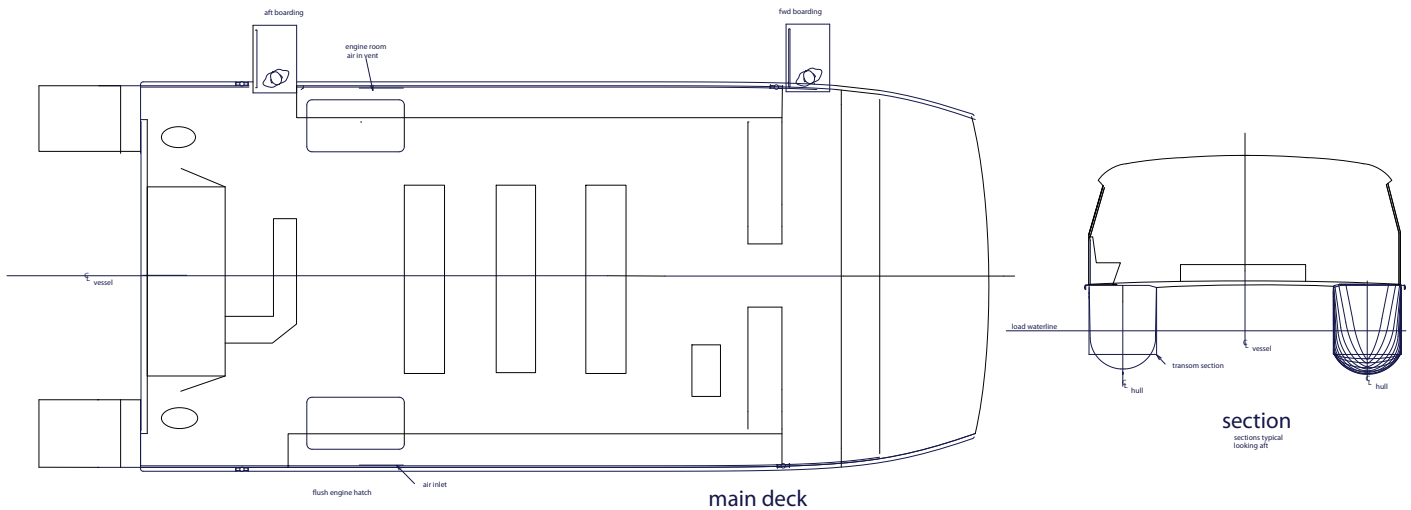
◆ Ferry Boat &
Water Taxi Consulting
◆ Boat Building & Design

Bob Bekoff, LLC



Burpee 130 Passenger Catamaran Snorkel Boat

Length: 60'
Draft (loaded): 4'
Beam (overall): 25'

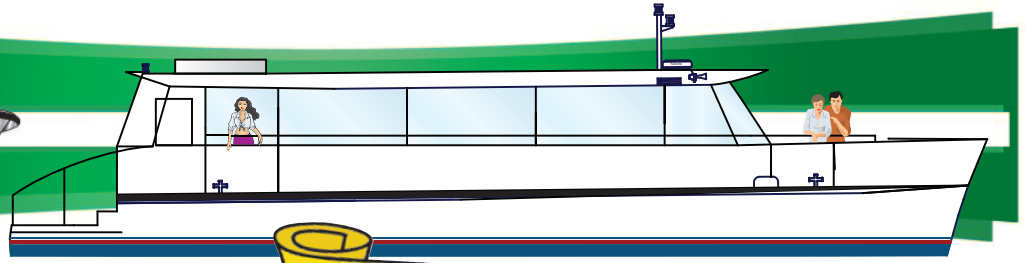


Specifications

USCG Survey Class:	Partially Protected Waters	Construction Material:	
Length Hull:	60'	Hulls and Main Deck - GRP Composite	
Beam Molded:	24'	Superstructure - GRP Composite	
Beam overall:	25'	Electrical System:	12 V DC
Hull Draft (Max):	24" / 30"	Main Engines:	Cummins QSL9
Vessel Draft (Max):	48"		405 HP @ 2100 RPM
Immersion Rate:	1950 lbs/in		ZF 2:1 gear
Passenger Capacity:	130 total	Service Speed:	22 knots
Crew:	3	Tankage:	
Air Conditioning:	(optional)	Fuel:	2 x 150-gallons
Boarding Areas:	Main Boarding Forward	Water:	150-gallons
	Secondary Boarding aft	Holding:	150-gallons

For additional information and specifications contact:

954-471-7538 Fax: 954-302-2040 / Bob@BobBekoffConsulting.com / BobBekoffConsulting.com

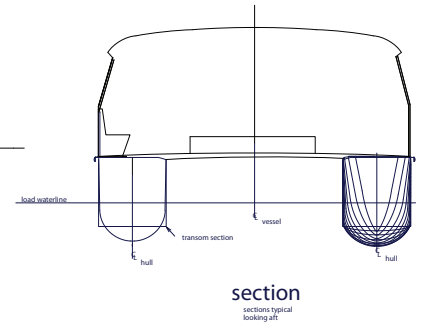
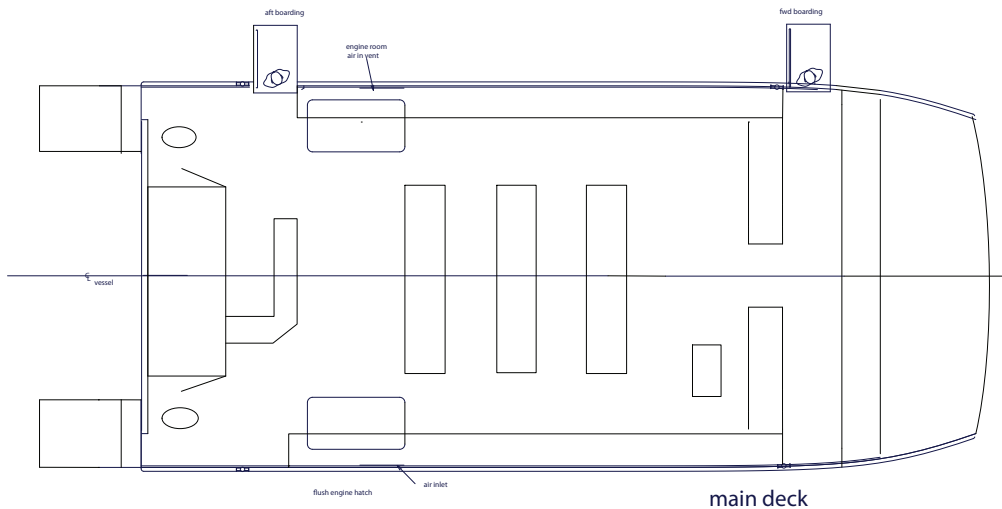


Under Construction



Burpee 130 Passenger Catamaran Snorkel Boat

Length: 60'
Draft (loaded): 4'
Beam (overall): 25'



Specifications

USCG Survey Class:	Partially Protected Waters	Construction Material:	Hulls and Main Deck - GRP Composite
Length Hull:	60'		Superstructure - GRP Composite
Beam Molded:	24'	Electrical System:	12 V DC
Beam overall:	25'	Main Engines:	Cummins QSL9
Hull Draft (Max):	24" / 30"		405 HP @ 2100 RPM
Vessel Draft (Max):	48"		ZF 2:1 gear
Immersion Rate:	1950 lbs/in	Service Speed:	22 knots
Passenger Capacity	130 total	Tankage:	
Crew:	3		Fuel: 2 x 150-gallons
Air Conditioning:	(optional)		Water: 150-gallons
Boarding Areas:	Main Boarding Forward		Holding: 150-gallons
	Secondary Boarding aft		

For additional information and specifications contact:

Canal Boats, Inc. / watertaxiboats.com / Tel: 954-471-7538 / Fax: 954-302-2040